

WEIGHT CLASS

3.5 TONNE

| TB235-2 |



STAGE V
READY
19kW No DPF



COMPACT EXCAVATOR

TAKEUCHI
Japanese for Reliability

Compact 3.5 tonne mini excavator - powerful performance

The TB235-2 mini excavator brings operators the most comfortable operation and powerful digging performance.

With 18.2kW of power the new TB235-2 works within the restrictions of Stage V emissions for a compact machine size.

The TB235-2 design now features a rounded body for improved visibility and functionality, and the conventional tail swing with reduced overhang provides outstanding stability.



ENHANCED FEATURES

The TB235-2 comes with factory-fitted hydraulic hitch pipework as standard.

Auxiliary flows adjustable from the cab control panel.

Electric throttle control makes it easy to set the throttle to the desired position for operation.

The TB235-2 now features LED lighting for maximum efficiency, visibility and safety on site.

On site, the new 3.5 tonne TB235-2 mini excavator provides a compact size with familiar Takeuchi comfort and control.

Highly engineered reliable and touch sensitive controls, the light touch gives the operator far more accurate control when digging in tough ground conditions with excellent hydraulic power when required. The higher than average bucket breakout force gets a greater digging performance.

The TB235-2 offers excellent dig depth of 3245mm. The roomy isolated cab minimises the impact felt by the operator.

If you're familiar with Takeuchi compact excavators the TB235-2 offers proven reliability and performance for plant hire, ground works, civils, earthmoving, utilities and much more.

With a reputation for reliability, Japanese build quality makes all the difference.

OPERATOR COMFORT

The stylish cab comes with a fully adjustable seat and arm rest. Radio/MP3 socket, drinks holder and additional foot and storage room.

The TB235-2 is fitted with both foot pedal and hand travel lever controls.

Operators familiar with larger excavators often prefer traditional foot pedals to hand lever options. Air conditioning is an option on the TB235-2.



DESIGNED FOR EASY SERVICE

The TB235-2 is uniquely designed for quick and easy service and maintenance.

Easy access to service areas, easy refuelling point, access at ground level to service points and a well positioned hour meter.

Warning devices help prevent service issues: battery charge, engine oil pressure, coolant temperature, air cleaner, water temperature and fuel gauge.

PERFORMANCE

- Two speed tracking and simultaneous cab swing and dig functions all add up to faster working speeds.
- Short pitch rubber tracks add to performance with far less potential for ground damage.
- Emergency shut-off valve, if the boom or dipper cylinder hose for lifting is ruptured, the emergency shut-off valve is activated to prevent the boom or dipper from falling rapidly.
- Overload warning device - if a weight greater than the lifting capacity is applied or lifted, the overload warning device is activated and the horn sounds.

OPERATION

A comfortable cab incorporates useful operating features;

- Pilot operated joystick controls and foot pedals makes for easy uncomplicated drive and operations.
- Adjustable seat and arm rests.
- Two way auxiliary hydraulics plumbed to the boom arm allows alternative tools to be used on site.
- Well positioned controls make for comfortable all day operation.

SAFETY & SERVICE

- Electronic engine monitoring.
- Automatic fuel bleed system.
- Triple Flange Rollers for improved track retention.
- Remote slew lubrication system.
- Vandalism protected lockable fuel tank and engine compartment.
- Hydraulic oil cooler.
- Engine oil Safe Drain system.
- All Takeuchi machines come with a 2 year/2000 hrs warranty as standard (*exceptions apply).

OPTIONS

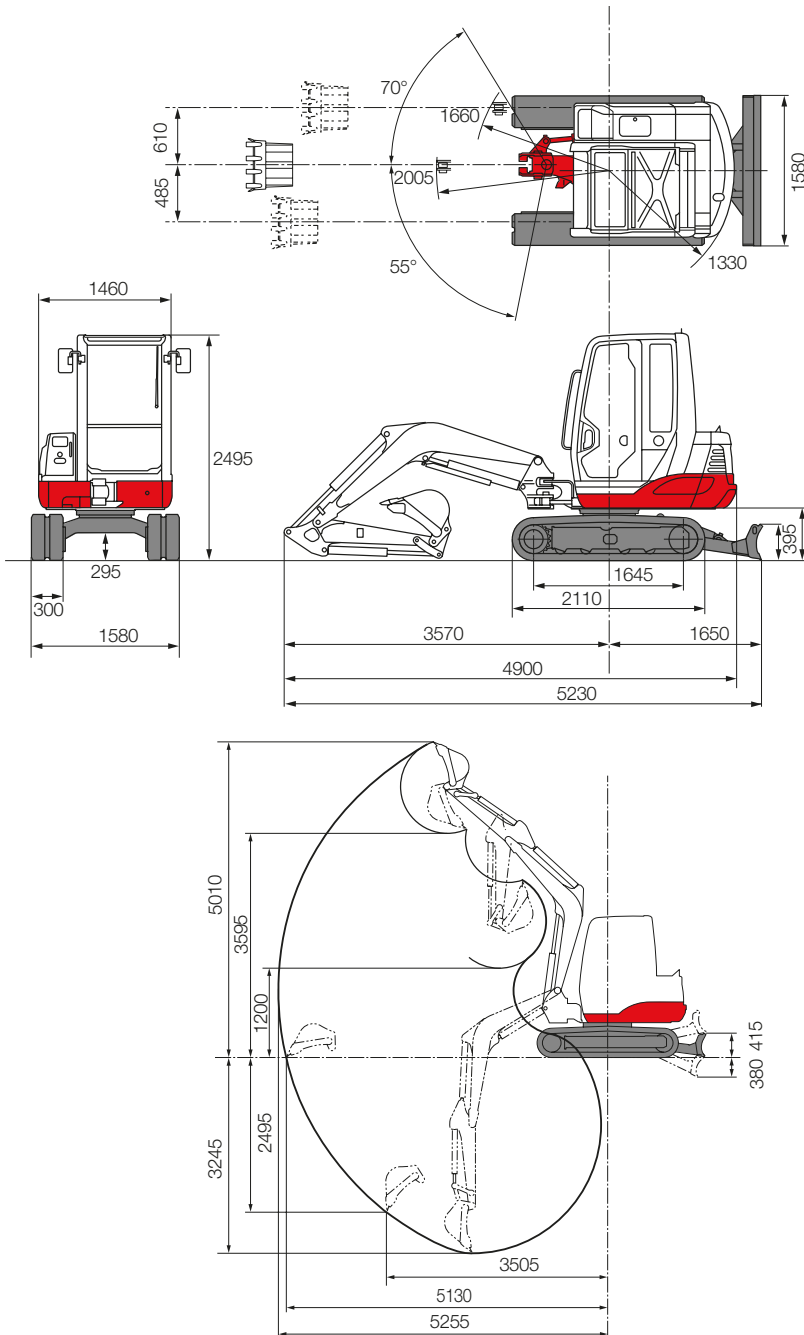
- Air Conditioning
- QuickHitch
- TFM - Takeuchi Fleet Management

PROTECT YOUR INVESTMENT

The TB235-2 comes with **TSS Takeuchi Security System** as standard

- Only programmed keys for start-up
- Un-programmed keys alert the operator via the VDU and alarm
- Standard - 1 red master key and 3 black users keys
- Can programme up to 13 black user keys





All dimensions unless otherwise stated are in millimetres.

For more information locally

call us direct, or contact:



Takeuchi Mfg (UK) Ltd, Unit E2B Kingsway Business Park,
John Boyd Dunlop Drive, Rochdale, Lancashire OL16 4NG
Tel: 01706 657 722 Fax: 01706 657 744

Southern Depot at 20 Colthrop Business Park
Colthrop Lane, Thatcham, Newbury, Berks RG19 4NB
Tel: 01635 877 196 Fax: 01635 877 195

www.takeuchi-mfg.co.uk Email: sales@takeuchi-mfg.co.uk

TB235-2 Standard UK Specification Long Dipper Mono Book/Rubber Tracks

| Engine | |
|-----------------------|----------------|
| Make | YANMAR |
| Model | 3TNV88 |
| Rated Output (kW)/rpm | 18.2/2400 |
| Maximum Torque (Nm) | 92.2 |
| Cylinders | 3 |
| Displacement (cc) | 1642 |
| Electrical System | 12 volt 68 amp |

| Dimensions & Weight | |
|-----------------------------------|------------|
| Operating Weight (kg) | 3465 |
| Overall Length (mm) for transport | 4900 |
| Width (mm) | 1580 |
| Height (mm) | 2495 |
| Ground Clearance (mm) | 295 |
| Min. Front Swing Radius (mm) | 2005 |
| Slew Radius (mm) | 1330 |
| Dozer Blade (W x H) (mm) | 1580 x 395 |

| Operating Information | |
|---------------------------------|------|
| Max Digging Depth (mm) | 3245 |
| Max Dump Height (mm) | 3595 |
| Max Reach at Ground Level (mm) | 5130 |
| Max Vertical Digging Depth (mm) | 2495 |
| Max Bucket Breakout Force (kN) | 27.1 |
| Max Arm Breakout Force (kN) | 17.3 |

| Hydraulic System | |
|--|------------------|
| Set Pressure (bar) | 210 |
| Pump Type | Rexroth Variable |
| 1st Aux Max Flow l/min Pressure bar | 60 210 |
| 2nd Aux Max Flow l/min Pressure bar | 22 200 |

| Swing System | |
|------------------------|---------|
| Boom Swing Angle (L/R) | 70°/55° |
| Slew Speed (rpm) | 9.3 |
| Slew Motor | Piston |
| Slew Brake | Disc |

| Undercarriage | |
|----------------------------|--------------|
| Traction Motor | Axial Piston |
| Traction Drive | Planetary |
| Traction Brake | Disc |
| Track Width (mm) | 300 |
| Ground Contact Length (mm) | 1645 |
| Ground Pressure cab (kPa) | 31.4 |
| Travel Speed (km/h) | 2.8 - 4.2 |
| Maximum Gradeability | 30° |

| Capacities | |
|------------------------|-----|
| Hydraulic System (l) | 68 |
| Fuel Tank (l) | 46 |
| Engine Lubrication (l) | 4.7 |
| Cooling System (l) | 4.0 |

09/2020

*Lifting; the mass weight of slings / hitches / bucket to be deducted from the rated load to determine the net load that may be lifted.

Takeuchi machines come with a 2 year/2000 hours warranty as standard. Warranty exceptions to 1 year: fuel injection systems, electrical components, paint work and *emission control items. (*applicable models). Before fitment of a hydraulic attachment machine auxiliary pressure and flow should be accurately measured.

In accordance with our established policy of constant improvement, we reserve the right to amend these specifications at any time without notice. Photographs shown may feature non-standard equipment.

TAKEUCHI
Japanese for Reliability