

TB219
1.9-TONNE



**COMPACT
MINI EXCAVATOR**

EXCAVATING EXCELLENCE

takeuchi[®]
From World First to World Leader

TB219 compact mini excavator – made for digging deep

The TB219 compact mini excavator is designed for excavating in the most narrow site applications. With an operating weight of 1890/2000kg (canopy/cab) the TB219 is comfortably within trailer towing limits*. Performance is enhanced with a long dipper arm designed for the maximum digging depth to 2520mm. Safely excavating deep graves or utilities the TB219 is ideal for specialist contractors: grave diggers, groundworks or utilities. With extendable tracks the machine has added stability when excavating, and uses the narrow track width to move in and around confined spaces.

MAXIMUM DIGGING DEPTH

The TB219 excavates to 2520mm providing additional dig depth compared to conventional compact excavators.

The unique track extension and longer dozer blade adds significant stability when excavating deep.

Useful bucket-to-blade contact assist operators in final clear-up.



ADJUSTABLE DOZER BLADE

The dozer blade can be adjusted using a simple pin device, to match the TB219's extendable track width.

The blade shape provides for more effective soil grading and finishing on site.



On landscaping and construction sites the TB219 compact mini excavator offers a versatile machine option.

The TB219 slims down to just 980mm (1030mm cab), to get into the narrowest working areas including graveyard cemetery areas.

Extended digging depth is vital for many ground working services and the TB219 comfortably digs to 2520mm.

Ground reach extends to 4175mm assisting operators where access is restricted.

For landscaping, soil grading and finishing the TB219 features an adjustable dozer blade with useful bucket to blade contact.

A compact machine, trailer towable* and built for the landscaper, specialist grave digger and utilities contractor.

With a reputation for reliability, Japanese build quality makes all the difference.

MAXIMUM SERVICE ACCESS

A roomy cab provides the operator comfort for long operating hours. Greater foot room, well positioned controls along with an MP3 socket and radio adds to operator comfort.

Two speed tracking incorporated into the right hand travel lever. Dual hand and foot travel controls, for operators familiar with foot pedals common on larger excavators.



STAGE V ✓
COMPLIANT

STABLE DIGGING PLATFORM WITH EXTENDABLE TRACK WIDTH

Hydraulically adjustable tracks provide a wider and stable dig platform (1370mm). Tracks slim down to 980mm allowing operators to travel through narrow working areas. Operators benefit from an extendable track frame, simply adjusted while seated in the cab.



STANDARD FEATURES

(see website for the complete features list)

PERFORMANCE

- Expanding tracks for greater stability from 980mm (1030mm cab) to 1370mm.
- Adjustable dozer blade width matches expanded tracks..
- Balance and stability are further enhanced with a longer than average track frame (1570mm).
- Two-way auxiliary hydraulic circuit plumbed to the dipper arm.
- Variable displacement hydraulic pump effectively uses the engine horsepower, adjusting power and speed for fast and smooth operation.
- Simultaneous operation of cab swing and digging function gives a fast-cycle time.
- Two-speed travel gives fast cycle times and flexibility around site on difficult terrain.

OPERATION

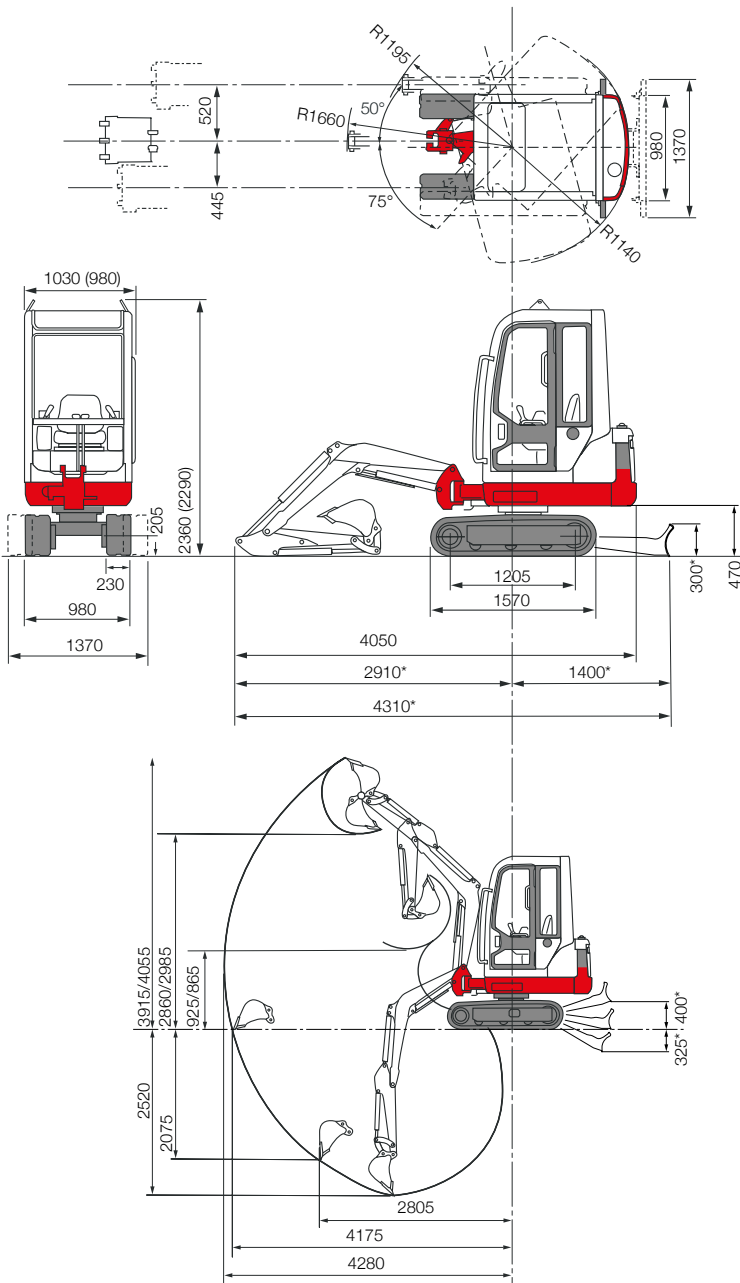
- Cushioned main boom and swing cylinders for smooth operation
- Safety operator lockout lever.
- Boom mounted work light assists in all types of working conditions.
- Optional boom holding valve.

SAFETY & SERVICE

- Safety is in-built – ROPS/FOPS/TOPS
- 100% steel wraparound frame protects key components.
- Flat glass panels are an affordable replacement.
- With protected routing of key hydraulic hoses, boom cylinder guard and vandal-proof fuel tank and engine
- Standard service features include; Safe Drain engine oil system, hydraulic and fuel sight gauges, fuel drain system, hydraulic oil cooler, maintenance-free battery and electronic engine monitoring system.
- All Takeuchi Machines come with a full 3 year/3,000 hours warranty as standard.



TB219 COMPACT MINI EXCAVATOR



TB219 Standard UK Specification Long Arm/Rubber Tracks

Engine	
Make	Yanmar
Model	3TNV70-NTB
Rated Output (kW)/rpm	11.5/2500
Maximum Torque (Nm)	48.4-52.7
Cylinders	3
Displacement (cc)	854
Electrical System	12 volt 40 amp

Dimensions & Weight	
Operating Weight inclusive of bucket and fuel. Cab/Canopy (kg)	2000/1890
Overall Length (mm)	4050
Width Cab/Canopy (mm)	1030/980
Extended Tracks Max Width (mm)	1370
Height Cab/Canopy (mm)	2360/2290
Ground Clearance (mm)	205
Min. Front Swing Radius (mm)	1195
Tail Swing Radius (mm)	1140
Dozer Blade W x H (mm)	980 -1370 x 300

Operating Information	
Max Digging Depth (mm)	2520
Max Dump Height Cab/Canopy (mm)	2860/2985
Max Reach at Ground Level (mm)	4175
Max Vertical Digging Depth (mm)	2075
Max Bucket Digging Force (kN)	16
Max Arm Digging Force (kN)	9.76

Hydraulic System	
Main System Pressure (bar)	210
Pump Type	Variable x 2 Gear x 2
1st Auxiliary Maximum Flow (l/min) / Pressure (bar)	40 / 210

Swing System	
Boom Swing Angle (L/R)	75°/50°
Slew Speed (rpm)	8.7
Slew Motor	Piston
Slew Brake	Disc

Undercarriage	
Traction Motor	Axial Piston
Traction Drive	Planetary
Traction Brake	Disc
Track Width (mm)	230
Ground Contact Length (mm)	1205
Ground Pressure (kPa)	33.1
Travel Speed (km/h)	2.4/4.0
Maximum Gradeability	15°

Capacities	
Hydraulic System (l)	35
Fuel Tank (l)	24
Engine Lubrication (l)	2.8
Cooling System (l)	3.7

All dimensions unless otherwise stated are in millimetres.
*Please refer to national guidelines for trailer towing legislation.

**FULL
3-YEAR
3,000 HOUR
WARRANTY**

Takeuchi machines come with a full 3 year/3000 hour warranty as standard, terms and conditions apply.

Before fitment of a hydraulic attachment, machine auxiliary pressure and flow should be accurately measured. For all lifting specifications please refer to the lift charts on the Takeuchi website or operator manual.

In accordance with our established policy of constant improvement, we reserve the right to amend these specifications at any time without notice. Photographs shown may feature non-standard equipment.

For more information locally contact:



SCAN ME

To find your local dealer

Takeuchi Mfg (UK) Ltd, Unit E2B Kingsway Business Park, John Boyd Dunlop Drive, Rochdale, Lancashire OL16 4NG
info@takeuchi-mfg.co.uk www.takeuchi-mfg.co.uk

@TakeuchiUK

TAKEUCHI
From World First to World Leader