

**TB225**  
2.5-TONNE



**COMPACT  
MINI EXCAVATOR**

**EXCAVATING EXCELLENCE**

**TAKEUCHI**<sup>®</sup>  
From World First to World Leader



# The Takeuchi 2.5-tonne TB225 maximum towable power

The TB225 mini excavator offers maximum excavating performance in a road towable weight class.

Weighing in at just 2.5-tonnes the TB225 comfortably meets the requirements of legal towing on UK and Ireland road networks, with room for additional attachments, tools and materials.

The TB225 comes with a massive 16.5kW engine, very powerful for a 2.5 weight class excavator, providing the added digging power required for the toughest groundworks.

## OPERATING PARAMETERS

The TB225 features the long-arm as standard providing outstanding breakout force: bucket 19.3kN and arm 12.8kN.

With dig depth to 2580mm, ground reach to 4250mm and dump height to 2875mm the TB225 outperforms for a 2.5-tonne mini.

With enhanced power and hydraulics the TB225 is compatible for larger TB230 attachments.



## MAXIMUM FUEL EFFICIENCY

Fuel Saving Features:

- Automatic idle
- Electric dial throttle control
- Two-speed tracking with auto step down



**STAGE V** ✓  
**COMPLIANT**

## MAXIMUM ACCESSIBILITY

The TB225 offers a unique extendable track frame - reduces down to just 1100mm from maximum 1500mm width, getting into the most limited working spaces.

The in-cab independent controls extend and reduce track widths and the dozer adjusts to width with a quick and easy pin-lock system.

For access where a top lift is required; the TB225 has built-in dedicated lift points for a safe 3-point-lift positioned at the top of cab, on the boom and dozer.







## ENHANCED FEATURES

Boom and arm holding check valves are factory fitted for added safety in the event of a hose burst failure. An audible warning lift alarm is standard for craning.

Auxiliary hydraulic flows and presets can be adjusted from the comfort of the operator's seat.

The TB225 comes factory fitted with steel hydraulic pipework.  
 Auxiliary Service Ports - 1st pre-piped for breaker and dual flow as standard.  
 3rd pre-piped for hydraulic hitch with safe hand/foot activation switches.

The TB225 cab features LED workzone lighting for maximum all around visibility.  
 A switched roof beacon socket and the canopy is fitted with a pre-wired beacon switch.

## COMPATIBLE BREAKER

The TB225 is compatible with a Takeuchi TKB102-S sound suppressed hydraulic breaker.

Designed to meet the requirement for quieter operating environments.



## TRAILER TOWABLE

Weighing in at just 2241kg canopy and 2376kg cab inclusive of both a hitch and bucket - the TB225 provides the most powerful yet portable mini digger.

With 4 dedicated tie-down anchor points the safest possible transporting is assured.

When combined with a trailer, spare buckets, tools and materials, safe compliant road towing within the 3.5-tonne regulations is guaranteed.

## STANDARD FEATURES

(see website for the complete features list)

### OPERATOR STATION

- All steel Cab/Canopy (ROP / TOPS/ OPG)
- Adjustable seat and armrests with retracting seat belt and folding drinks holder
- In-cab radio with stereo speakers MW/FM/ USB/ Bluetooth
- Gas lift-assist window slides into recess
- In-cab multi-vent heater/de-mister
- Foot rests and offset foot pedal

### ELECTRICAL

- Sealed rocker switches
- Internal power sockets - 12V / USB
- Cab - Switched roof beacon socket - 12V
- Travel alarm
- LED workzone lights
- Battery isolator
- Switch activated auto tank

### ENGINE

- Stage V <19kW engine - low emission
- Full access side opening & lockable engine hood
- Dual fuel filtration with water trap
- Dual element air filter
- Engine safe start system
- Service interval - 250 hours



### HYDRAULICS

- Cushioned boom and swing cylinders
- Boom and arm holding check valves
- Variable presets for multiple attachments
- Aux with auto tank
- Proportional auxiliary controls with detent
- Switched activated dual flow
- Aux with independent isolation valves
- Aux ports: 1st + 3rd (pre-piped for hydraulic hitch) 2nd + 4th optional

### UNDERCARRIAGE AND FRAME

- Retractable expanding track 1100-1500mm
- Triple flanged track rollers & sealed bearings
- Secure-sure anchor points



# TB225 COMPACT MINI EXCAVATOR



## MAXIMUM COMFORT

Operators get maximum comfort with a comfortable suspension seat and adjustable arm rest.

The comfy cab includes Bluetooth and MP3 sockets alongside in-cab 12v power supply and easy access to the covered fuse-box.

With plenty of in-cab storage and a lockable toolbox behind the seat on the canopy.

The large roomy cab and canopy features ergonomic design with a large colour multi-information display.

Accumulator assisted pilot controls combined with cushioned boom and swing cylinders, help reduce shock and vibrations for a smoother machine operation.



## ALL-ROUND PROTECTION

The TB225 is built with all steel construction and a large wraparound counterweight for rear end protection.

The cab is ROPS / TOPS / OPG for maximum protection and the main boom cylinder is well guarded.

Easy access side panel for battery isolator, grease gun and refuelling.



## TOTAL SERVICEABILITY

Triple flange track rollers help maximise track retention.

The TB225 under-carriage is very easy to service, the extending track-frame can be easily maintained with replaceable wear parts.

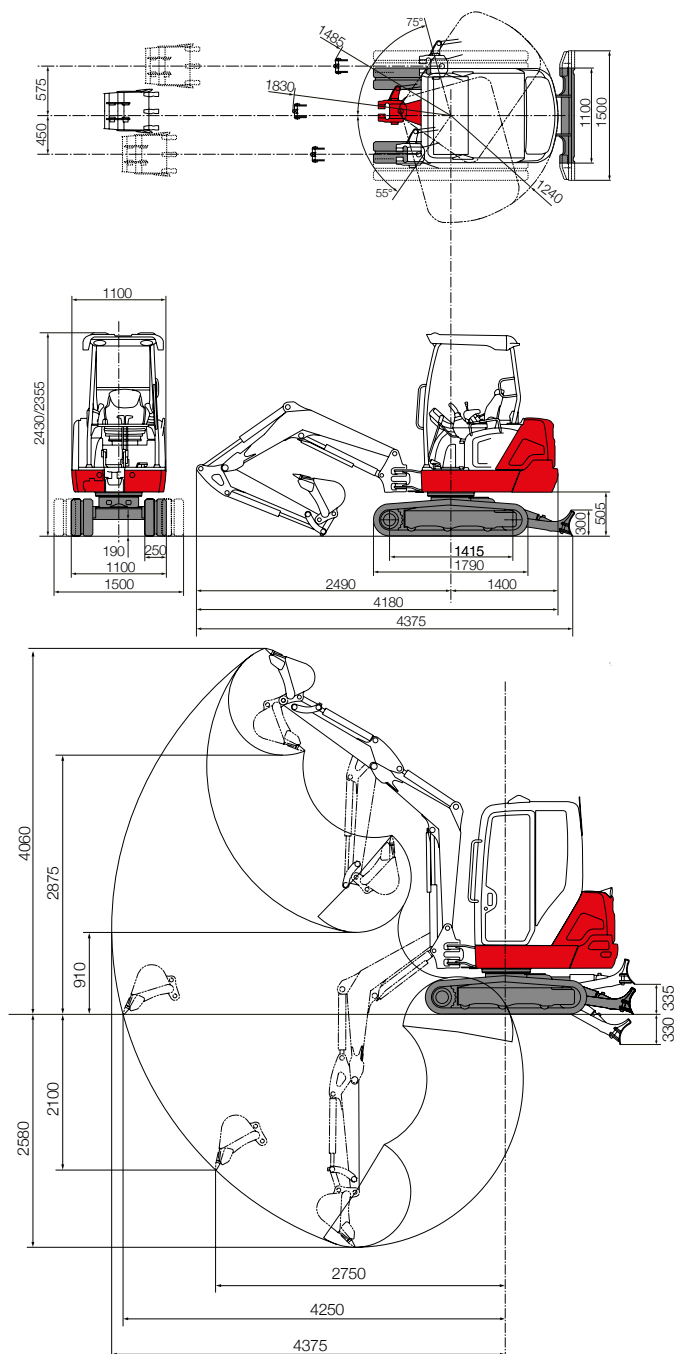


## TSS - TAKEUCHI SECURITY SYSTEM

The TB225 comes with **TSS** immobiliser key as standard. Includes 1 red master key and 3 black user keys. Can programme up to 13 user keys.



# TB225 COMPACT MINI EXCAVATOR



All dimensions unless otherwise stated are in millimetres.

## TB225

Standard UK Specification - Long Arm - Rubber Tracks

Engine	
Make	YANMAR
Model	3TNV82A
Rated Output (kW)/rpm	16.5/2200
Maximum Torque (Nm)	84.1
Cylinders	3
Displacement (cc)	1330
Electrical System	12V 58A

Dimensions & Weight	
Operating Weight inclusive of hitch, bucket and fuel: cab/canopy (kg)	2376/2241
Overall length (Transporting) (mm)	4180
Width cab/canopy (mm) with extended track (mm)	1100/1500
Height cab/canopy (mm)	2430/2355
Ground Clearance (mm)	190
Min. Front Swing Radius (mm)	1485
Slew Radius (mm)	1240
Dozer Blade (W x H) (mm)	1100-1500 x 300

Operating Information	
Max Digging Depth (mm)	2580
Max Dump Height (mm)	2875
Max Reach at Ground Level (mm)	4250
Max Vertical Digging Depth (mm)	2100
Max Bucket Digging Force (kN)	19.3
Max Arm Digging Force (kN)	12.8

Hydraulic System	
Main System Pressure (bar)	210
Pump Type	Variable x 2 Gear x 2
1st Auxiliary Maximum Flow (l/min) / Pressure (bar)	38/210
2nd Auxiliary Maximum Flow (l/min) / Pressure (bar)	13/196

Swing System	
Boom Swing Angle (L/R)	75°/55°
Slew Speed (rpm)	9.7
Slew Motor	Trachoid Gear

Undercarriage	
Traction Motor	Axial Piston
Traction Drive	Planetary
Traction Brake	Disc
Track Width (mm)	250
Ground Contact Length (mm)	1415
Ground Pressure (kPa)	30.4
Travel Speed (km/h)	2.5-4.2
Maximum Gradeability	30°

Capacities	
Hydraulic System (l)	36
Fuel Tank (l)	30.5
Engine Lubrication (l)	3.6
Cooling System (l)	4.3

Health & Safety	
Noise / Sound Power Level (LwA)	93 dB
Vibration Hand Arm / Body m/sec <sup>2</sup>	≤2.5 / ≤0.5

12/2024

**FULL  
3-YEAR  
3,000 HOUR  
WARRANTY**

Takeuchi machines come with a full 3 year/3000 hour warranty as standard, terms and conditions apply.  
Before fitment of a hydraulic attachment, machine auxiliary pressure and flow should be accurately measured. For all lifting specifications please refer to the lift charts on the Takeuchi website or operator manual.  
In accordance with our established policy of constant improvement, we reserve the right to amend these specifications at any time without notice.  
Photographs shown may feature non-standard equipment.

For more information locally contact:



SCAN ME

To find your local dealer

Takeuchi Mfg (UK) Ltd, Unit E2B Kingsway Business Park,  
John Boyd Dunlop Drive, Rochdale, Lancashire OL16 4NG  
E: info@takeuchi-mfg.co.uk www.takeuchi-mfg.co.uk

@TakeuchiUK

**TAKEUCHI**  
From World First to World Leader