

TB350R
5-TONNE



**SHORT TAIL
SWING EXCAVATOR**

3 SERIES

takeuchi[®]
From World First to World Leader



NEW 3-SERIES **TB350R** short tail swing excavator

The TB350R is from the New 3-SERIES of Takeuchi excavators, featuring the latest technology combined with short tail swing design that makes it ideal for working in tight or confined spaces.

The 5-tonne TB350R has plenty of power and greater torque along with a well proven, high performance hydraulic system delivering greater oil flow for faster cycle times and increased efficiency. Packed full of value-added features offered as standard for maximum safety and productivity.

The TB350R combines all the proven characteristics of Takeuchi excavators: smooth hydraulics, power performance, proven durability, high resale value, with maximum operator comfort and serviceability.



COMPATIBLE BREAKER

The TB350R is compatible with a Takeuchi TKB302-S sound suppressed hydraulic breaker. Designed to meet the requirement for quieter operating environments.

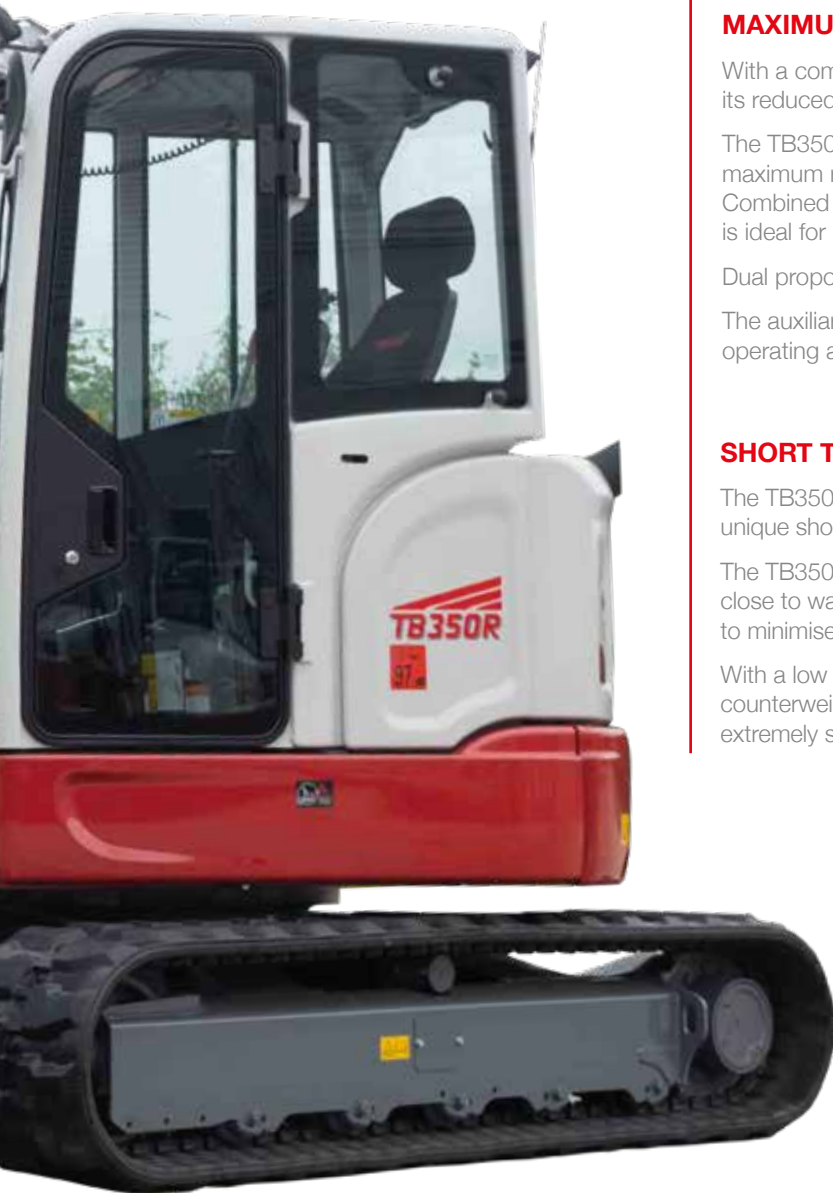


POWER PERFORMANCE

The TB350R is Stage V compliant with low noise levels.

The TB350R features 37.3kN bucket breakout force and 22.4kN arm digging force – high power for a 5-tonne excavator.

STAGE V
COMPLIANT



MAXIMUM FUEL EFFICIENCY

Fuel Saving Features:

- Engine auto stop
- Automatic idle
- Economy work-mode
- Electronic engine monitoring
- Electric dial throttle control
- Two-speed tracking with auto step down
- TFM - Remote utilisation data



MAXIMUM OPERATING PERFORMANCE

With a compact track footprint of just 2000 x 2500mm, the TB350R with its reduced tail gets maximum accessibility on restricted sites.

The TB350R offers excellent operating parameters: a dig depth of 3575mm, maximum reach of 5925mm and maximum dump height of 3945mm. Combined with its high-flow primary auxiliary circuit the TB350R is ideal for multiple groundworks applications.

Dual proportional control comes as standard.

The auxiliary detent switch prevents operator fatigue when continuously operating attachments.

SHORT TAIL SWING

The TB350R offers a wider than average track frame for added stability and the unique short tail design provides excellent accessibility where space is limited.

The TB350R with just 1075mm slew radius and a compact rear side, will work close to walls. A 75mm overhang at 90° to the track and rounded corners help to minimise potential machine damage in restricted areas.

With a low centre of gravity and optimized counterweight the TB350R offers an extremely stable platform.



SWITCH ACTIVATED BLADE FLOAT

To maximise ground finishing on-site the switch activated blade float is fitted as standard.

A heavy-duty dozer blade with a cylinder protection guard.

Exposed ground level hydraulic hoses are spiral steel wrapped for added protection.





MAXIMUM ALL DAY COMFORT

The stylish TB350R features a larger than average cab that provides easy spacious access and comes with air-con climate control as standard.

Operator comfort is maximized with a large adjustable high-back suspension seat, complete with headrest and ergonomically positioned hand and foot controls with plenty of foot room and multi-vent heater.

The TB350R features an automotive styled Jog-Dial, offering single-handed console control for machine functions and engine speed.

Interactive 7" colour touchscreen VDU illuminates all active operating switch functions.

Electrics include DAB radio, Bluetooth, USB and microphone socket.

Extra cab features include a gas lift-assist retractable front window, with removable / stowable lower glass, a large skylight with sunshade and a rain-guard for open window operating.

Accumulator assisted pilot controls combined with cushioned boom, arm and swing cylinders, help reduce shock and vibrations for a smoother machine operation.



STANDARD FEATURES

(see website for the complete features list)

OPERATOR STATION

- All steel Cab (ROPS/ TOPS/ OPG)
- Large 7" touchscreen multi-information colour display with Jog-Dial
- Adjustable seat with retracting seatbelt and tool free adjustable arm rests
- Radio with stereo speakers
DAB/ Bluetooth/ USB/ microphone socket
- AC/ climate control/ heater/ de-mister
- Gas lift-assist window slides into recess
- Bolt-on handrails
- Steel folding fully supported travel pedals

ELECTRICAL

- Multi-switch control panel and jog dial
- Internal power sockets - 12V / USB
- Switched roof beacon socket - 12V
- All-round LED workzone lights - front / rear/ internal
- Electrical refuelling pump - retractable

ENGINE

- DPF+DOC - exhaust after treatment
- Dual fuel filtration - water trap
- Engine safe start systems
- Service interval - 500 hours
- Working modes: Eco



HYDRAULICS

- Cushioned boom, arm and swing cylinders
- Boom and arm holding check valves
- Main boom cylinder protection guard
- Multi-attachment presets - password secure
- Aux with independent isolation valves
- Aux with auto tank
- Proportional auxiliary controls with detent
- Aux ports: 1st + 3rd (pre-piped for hydraulic hitch) 2nd + 4th optional

UNDERCARRIAGE AND FRAME

- Wider than average track frame
- Triple flanged track rollers & sealed bearings
- Dozer with switch activated blade float
- Dozer cylinder protection guard
- Secure sure tie down anchor points

ENHANCED FEATURES



Visibility is enhanced with all-round LED lighting for maximum safety on-site.

The offside window is larger and lower providing enhanced visibility around the blind-side of the machine.

Boom and arm holding valves are factory fitted for added safety in the event of a hose burst failure. An audible warning lift alarm is standard for craning.



Auxiliary hydraulic flows can be adjusted from the comfort of the operator's seat, with optional password secure presets.

The TB350R comes factory fitted with steel hydraulic pipework. Auxiliary Service Ports - 1st pre-piped for breaker and dual flow as standard. 3rd pre-piped for hitch with safe hand foot activation switches.

RELIABLE TRACK DESIGN

Triple flanged rollers support the track in multiple positions improving machine stability and track retention.

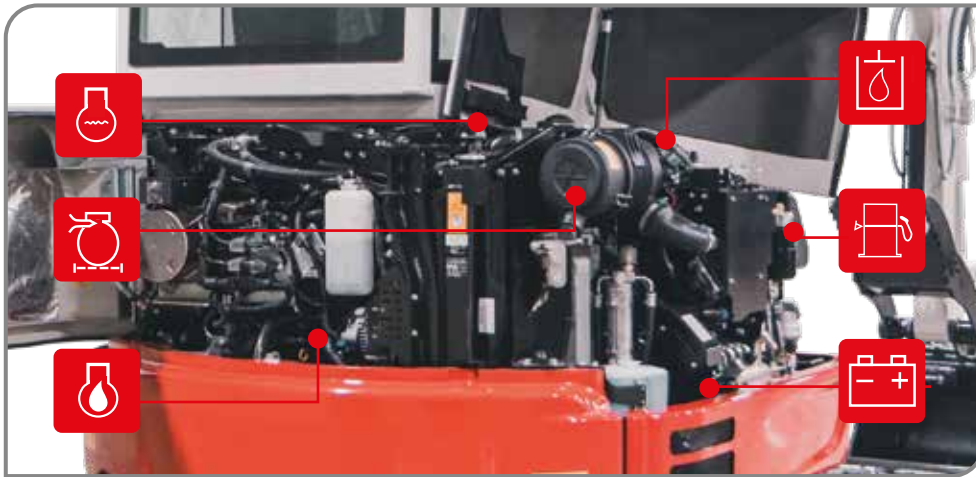
The upper roller maintains track alignment and helps shed debris.

High torque auto step-down travel motors deliver on-demand tracking power when dozing, turning and climbing.

Easy access to the grease filled track adjusters.



TB350R SHORT TAIL SWING EXCAVATOR



MAXIMUM SERVICEABILITY

The TB350R features a full-width swing-out engine hood and a gas-lift side access panel to provide maximum 270° service accessibility. The hydraulics are conveniently located via a hinged low-line service door and easy-lift floor panels.

REAR-ACCESS

The lockable swing-out all-steel hood provides unrestricted engine service access to:

- Clustered service points for less service downtime
- Engine, dipstick, cooling system, alternator, fan belt and starter motor.
- Engine oil filter, coolant fill points and AC charging points
- Hydraulic pump and pilot filter

OFF-SIDE SERVICE PANEL

An electric refuelling pump provides fast fill-up with a retractable hose and cradle for safe storage. With auto-shut off and suction filter providing added safety when refuelling.

- Hydraulic and fuel tanks
- Fuel filtration with water-trap
- Dual air filters
- Easy-clean radiator, AC condenser and fuel cooler
- Easy access fuse box and electrical components
- Battery, windscreen wash, grease gun and tool bag storage

IN-CAB SERVICE POINTS

- Unrestricted access to air circulation filtration for the AC
- The easy-lift dual floor panels provide access to hydraulic components, pipework and clustered hydraulic test points
- In addition, a front of cab low-line service door gives more access to the hydraulic valves



TSS - TAKEUCHI SECURITY SYSTEM

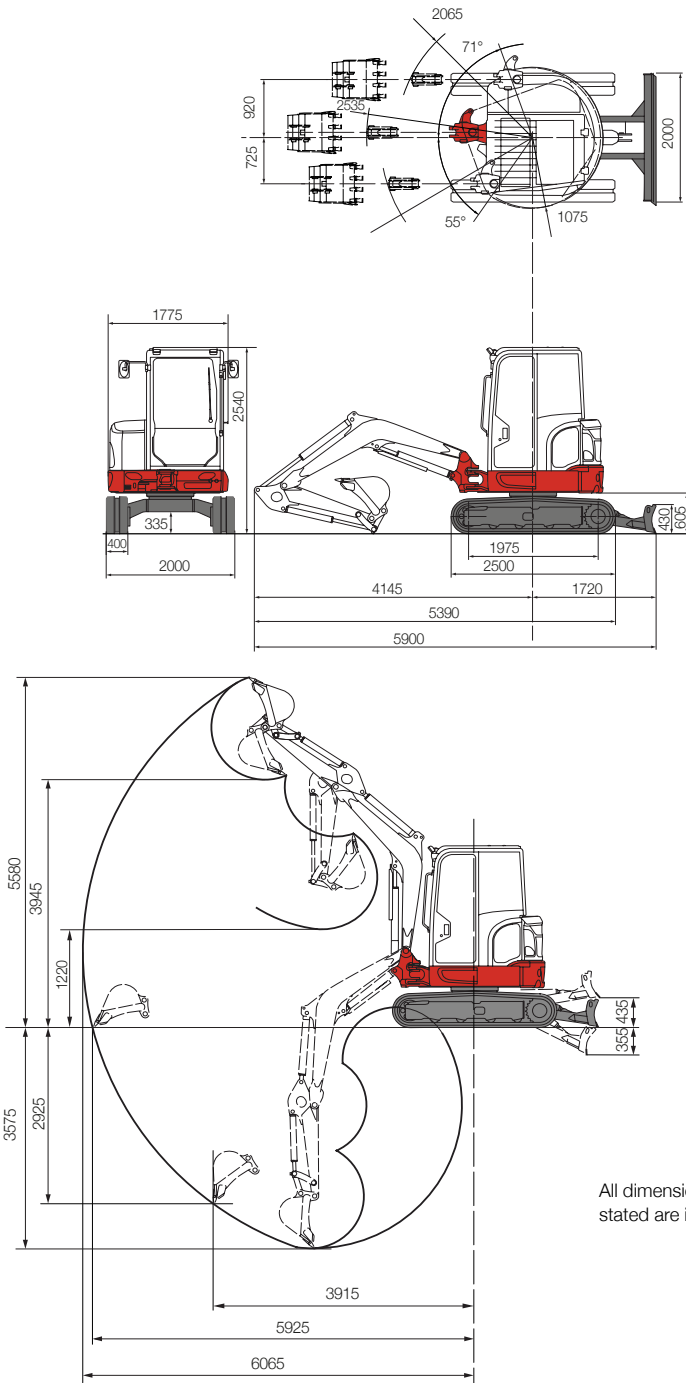
The TB350R comes with **TSS** immobiliser key as standard. Includes 1 red master key and 3 black user keys. Can programme up to 13 user keys.



TFM - TAKEUCHI FLEET MANAGEMENT

TFM is a remote **TELEMATICS** system, using real time data to better manage your fleet and lower overall operating costs. Free of charge in warranty period.

TB350R SHORT TAIL SWING EXCAVATOR



All dimensions unless otherwise stated are in millimetres.

TB350R

Standard UK Specification - Long Arm / Rubber Tracks
Optional: Steel Tracks

Engine	
Make	KUBOTA
Model	V2607-CR-E5B
Rated Output (kW)/rpm	32.4 kW / 2,000
Maximum Torque (Nm)	180.1
Cylinders	4
Displacement (cc)	2615
Electrical System	12V 72A

Dimensions & Weight	
Op. Weight (bucket, hitch, fuel) kg	5206
Length (Transporting) (mm)	5390
Width (mm)	2000
Height (mm)	2540
Ground Clearance (mm)	335
Min. Front Swing Radius (mm)	2535
Slew Radius (mm)	1075
Dozer Blade (W x H) (mm)	2000 x 430

Operating Information	
Max Digging Depth (mm)	3575
Max Dump Height (mm)	3945
Max Reach at Ground Level (mm)	5925
Max Vertical Digging Depth (mm)	2925
Max Bucket Digging Force (kN)	37.3
Max Arm Digging Force (kN)	22.4

Hydraulic System	
Set Pressure (bar)	240
Pump Type Rexroth	Variable x 2 + Gear x 2
1st Aux Max Flow l/min	93
Pressure bar	206
2nd Aux Max Flow l/min	40
Pressure bar	206

Swing System	
Boom Swing Angle (L/R)	71°/55°
Slew Speed (rpm)	8.9
Slew Motor	Axial Piston
Slew Brake	Wet Friction Plate

Undercarriage	
Traction Motor	Axial Piston
Traction Drive	Planetary Epicyclic Gear
Traction Brake	Wet Friction Plate
Track Width (mm)	400
Ground Contact Length (mm)	1975
Ground Pressure (kPa)	28.9
Travel Speed (K/ph)	2.8-5.0
Maximum Gradeability	30°

Capacities	
Hydraulic System (l)	85
Fuel Tank (l)	55.3
Engine Lubrication (l)	11.8
Cooling System (l)	10.0

Health & Safety	
Noise / Sound Power Level (LwA)	97 dB
Vibration Hand Arm / Body m/sec ²	≤2.5 / ≤0.5

12/2024

**FULL
3-YEAR
3,000 HOUR
WARRANTY**

Takeuchi machines come with a full 3 year/3000 hour warranty as standard, terms and conditions apply.

Before fitment of a hydraulic attachment, machine auxiliary pressure and flow should be accurately measured. For all lifting specifications please refer to the lift charts on the Takeuchi website or operator manual.

In accordance with our established policy of constant improvement, we reserve the right to amend these specifications at any time without notice. Photographs shown may feature non-standard equipment.

For more information locally contact:



SCAN ME

To find your local dealer

Takeuchi Mfg (UK) Ltd, Unit E2B Kingsway Business Park,
John Boyd Dunlop Drive, Rochdale, Lancashire OL16 4NG
info@takeuchi-mfg.co.uk www.takeuchi-mfg.co.uk

@TakeuchiUK

TAKEUCHI
From World First to World Leader