

TB395W
10.6-TONNE



**POWERFUL
WHEELED EXCAVATOR**

FOUR WHEEL STEER + CRAB MODE

3 SERIES

TAKEUCHI[®]
From World First to World Leader



TB395W Powerful wheeled excavator

The NEW 3-SERIES TB395W sets the standard for wheeled excavating.

The TB395W combines massive power performance and exceptional on-road features into a road ready and compact wheeled excavator. A powerful 4 dual-wheel drive machine with diff-lock for added traction.

The new wheeled excavator is designed and built for motorways, roads and street works applications with out-rigger options for added stability. Optional 4WS 4-wheel steer and crab mode.

The TB395W combines all the proven characteristics of Takeuchi excavators: smooth hydraulics, power performance, proven durability, high resale value, with maximum operator comfort and serviceability.

ENHANCED FEATURES

The New 3-Series TB395W is internally and operationally packed full of enhanced features for maximum comfort and improved machine productivity.

- The new TB395W features a 2-piece boom for excellent operating versatility when working in confined spaces.
- Enhanced sound proofing in the cab with quieter hydraulics and travel motor.
- Electronic Auto-Cruise control enables the operator to set and adjust travel speed in both low and high range via the rocker switch or through the optional multi-function grip. Delivering consistent travel speed when simultaneously operating; ideal for attachments.
- The new Bosch hydraulic system with independent circuits is designed to accommodate the growing range of attachments.
- The new front axle incorporates internal hub disc brakes providing enhanced brake force whilst reducing backlash when locked for digging.
- The TB395W provides maximum all-round 270° visibility with additional high-definition cameras on the rear, near and off-side complete with full colour and variable split screen display.
- All-round LED lights provide maximum enhanced safety on-site and on-road.



TB395W OPTIONS AVAILABLE

- 4WS four-wheel steer with mudguards.
- Outriggers with independent control are ideal when working on uneven terrain.
- Heavy-duty gapless tyres help reduce tyre damage on-site.
- Factory fitted multi-function grip and controls.
- The TB395W switch-controlled drive options include: 4WS / 4WS-Crab and 2WS providing enhanced versatility, improved traction and manoeuvrability where space is limited.



STAGE V COMPLIANT

POWER PERFORMANCE

Powered by the latest Stage V 85kW Deutz engine with SCR technology, delivering maximum breakout force and compliant emission control. A very flexible on-road vehicle built for maximum excavator productivity;

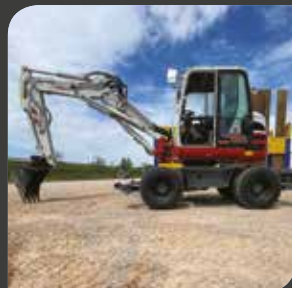
NEW NOISE REDUCTION



MAXIMUM FUEL EFFICIENCY

Fuel Saving Features:

- Engine auto stop
- Automatic idle
- Economy work-mode
- Electronic engine monitoring
- Electric dial throttle control
- Cruise control maintains speed
- TFM - Remote utilisation data



MAXIMUM ALL DAY COMFORT

The TB395W Cab features a completely new 3-Series styled interior design.

The new adjustable steering column allows for easier access into the TB395W. The large comfortable cab features a highback fully adjustable heated air suspension seat, headrest and ergonomically positioned hand and foot controls. Designed with maximum interior space and plenty of foot room, along with climate control air-con and a multi-vent heater.

When travelling the TB395W has enhanced in-cab sound suppression. The new 270° cameras give excellent blind spot visibility and all-around LED workzone lights come as standard. The extra window depth on the offside provides added blind-side visibility. The gas lift-assist retractable front window comes with an easily removable / stowable lower glass. Extra cab features include a large skylight with sun-shade and a rain guard for open window operating with a new tilting roof guard.

The automotive styled jog-dial provides the easiest of function selection alongside the well-positioned 8" colour touch screen display that illuminates all active operating switch functions. Operators can easily select auxiliary preset modes to match all types of attachments with adjustable flow and pressures and optional password secure presets.



ATTACHMENT READY

The TB395W comes factory fitted with steel hydraulic pipework. Auxiliary Service Ports - 1st and 2nd pre-piped for breaker and attachments both with dual flow as standard. 3rd pre-piped for hitch with safe hand/foot activation switches.

The TB395W is compatible with a Takeuchi TKB402-S or TKB802-S silenced breaker, designed for quieter operating environments.



STANDARD FEATURES

(see website for the complete features list)

OPERATOR STATION

- All steel Cab (ROPS/ TOPS/ OPG)
- Adjustable heated air suspension seat with retracting seat belt and adjustable armrests
- Adjustable steering column – rake and reach
- 8" high definition colour touch screen display
- Smartphone and cup holders
- Radio with stereo speakers
- DAB/ USB/ Bluetooth
- AC climate control, multi vent heater/de-mister
- Gas lift-assist window slides into recess
- 3 safety cameras - 270° visibility
- Tilted roof guard, front screen rain-guard
- Skylight with retractable sunshade

ELECTRICAL

- Internal/ external power sockets - 24V / USB
- Switched roof beacon power socket - 12V
- All-round LED lighting
- Emergency engine shut-down switch
- Electric refuelling pump, retractable with cradle

ENGINE

- DOC+DPF+SCR exhaust after treatment
- Dual fuel filtration - water trap
- Dual element air filter
- Service interval - 500 hours
- Working modes: Standard/ Eco



HYDRAULICS

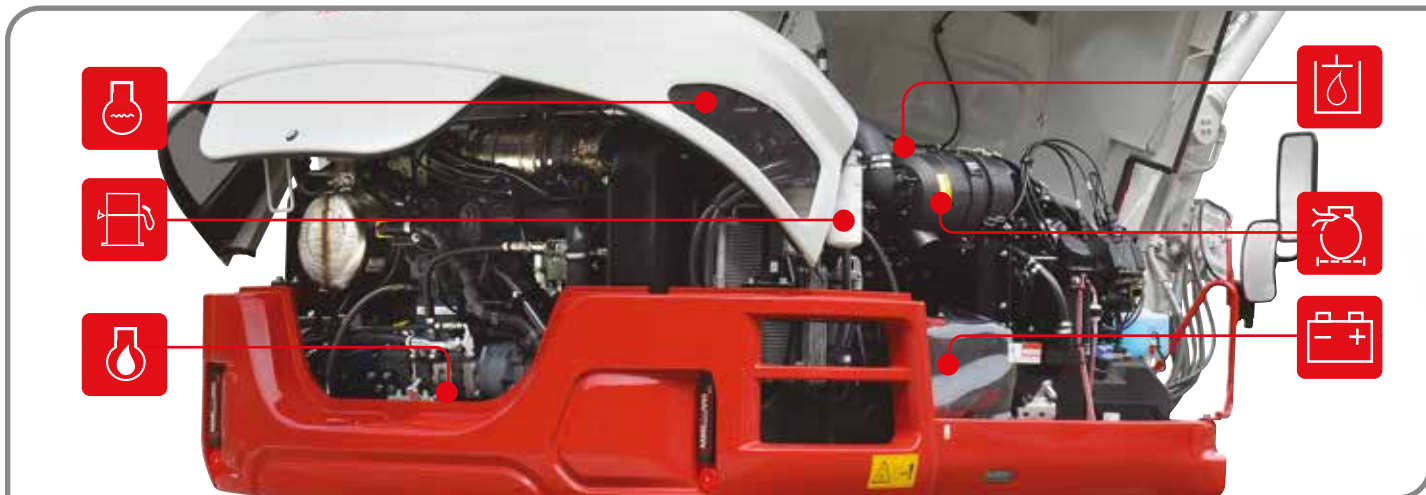
- Cushioned boom, arm and swing cylinders
- Boom and arm holding check valves
- Aux flows/pressures – touchscreen adjustable
- Multi-attachment presets - password secure
- Aux with independent isolation valves
- Aux pressure release with auto tank
- Proportional auxiliary controls with detent
- Aux ports: 1st, 2nd, 3rd (pre-piped for hydraulic hitch), 4th optional.

UNDERCARRIAGE AND FRAME

- Heavy-duty dozer blade
- Parking brake
- Dual sided tool box storage
- Tie down anchor points
- On-board anti-roll chocks



TB395W POWERFUL WHEELED EXCAVATOR



MAXIMUM SERVICEABILITY

Serviceability of the TB395W is unrivalled with the overhead opening engine hood and right-side cover ensuring that daily inspections can be carried out timely and efficiently to minimize downtime.

A tilting roof guard for easy roof cleaning.

A dedicated compartment for the electric refuelling pump and AdBlue filler point. The electric refuelling pump provides fast fill-up with a retractable hose and cradle for safe storage. With auto-shut off and suction filter providing added safety when refuelling.



TSS - TAKEUCHI SECURITY SYSTEM

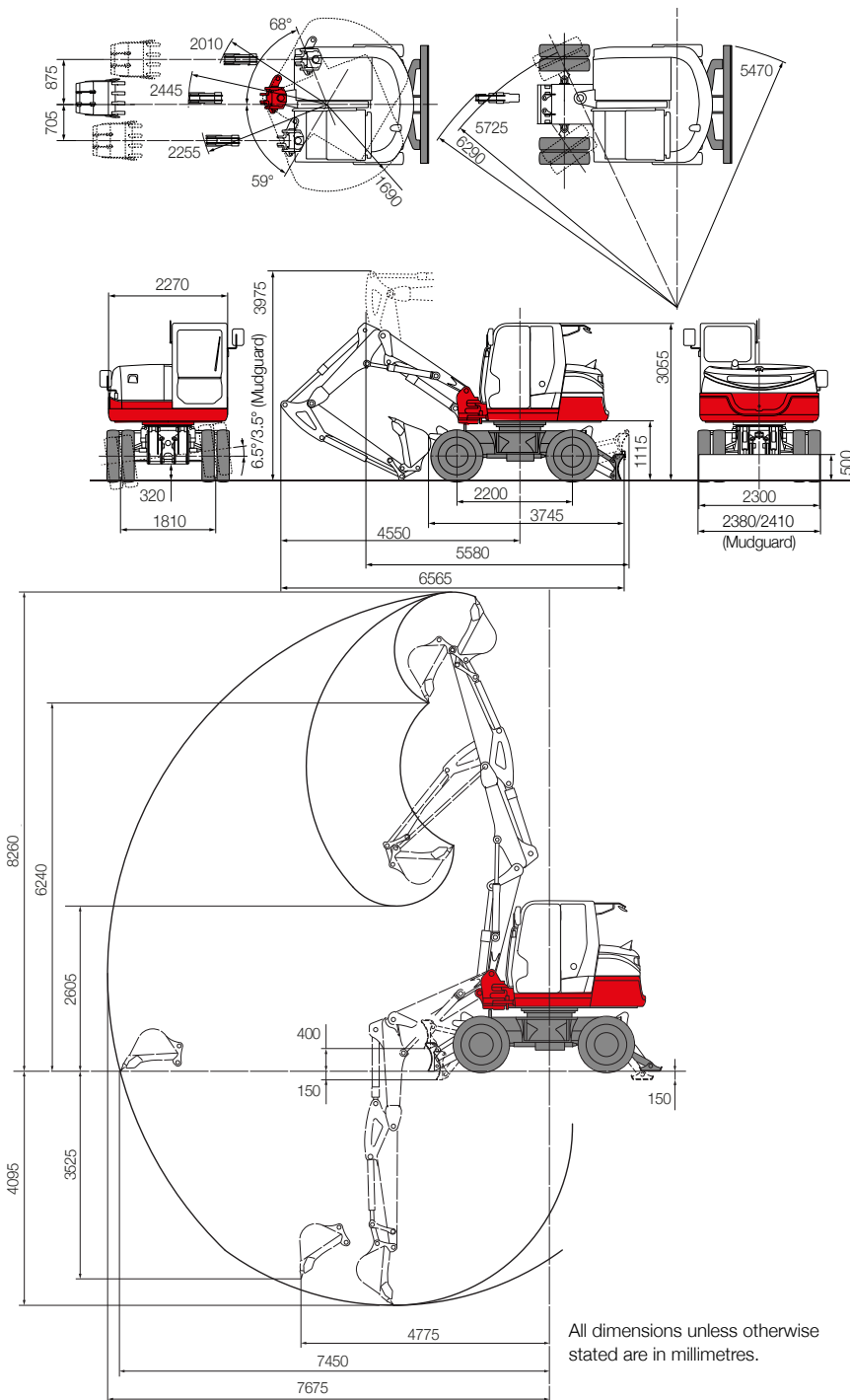
The TB395W comes with **TSS immobiliser key** as standard. Includes 1 red master key and 3 black user keys. Can programme up to 13 user keys.



TFM - TAKEUCHI FLEET MANAGEMENT

TFM is a remote **TELEMATICS** system, using real time data to better manage your fleet and lower overall operating costs. Free of charge in warranty period.

TB395W POWERFUL WHEELED EXCAVATOR



TB395W

Standard UK Specification 2-piece Boom, Long arm, 2WS

Engine	
Make	DEUTZ
Model	TCD3.6 L4
Rated Output (kW)/rpm	85 / 2200
Cylinders	4
Displacement (cc)	3621
Electrical System	24V 90A
Dimensions & Weight	
Weight 2 piece with blade / with outrigger incl fuel, hitch, bucket (kg)	10225 / 10625
Overall Length (mm)	6555
Overall Length on road (mm)	5580
Width (mm)	2380
Height (mm)	3055
Ground Clearance (mm)	320

Operating Information	
Max Digging Depth (mm)	4095
Max Dump Height (mm)	6240
Max Reach at Ground Level (mm)	7450
Max Vertical Digging Depth (mm)	3525
Bucket Digging Force (kN)	58.9
Long Arm Digging Force (kN)	39.7

Hydraulic System	
Set Pressure (bar)	275
Pump Type	Variable piston x 2 + gear pump X 3 + HST
1st Auxiliary Maximum Flow (l/min) / Pressure (bar)	120 / 275
2nd Auxiliary Maximum Flow (l/min) / Pressure (bar)	55 / 210

Swing System	
Boom Swing Angle (L/R)	68° / 59°
Slew Speed (rpm)	9.7
Slew Motor	Constant Vol Piston
Slew Brake	Wet Friction Plate

Undercarriage	
Tyre Size Twin Tyres	8.25 - 20 - 14PR
Drive Line	All Wheel Drive
Travel Brake	Disc & Brake Lock
Steering	Front Setting System
Wheelbase	2200
Tyre Pressure (psi)	94
Max Travel Speed - km/h	29.1
Maximum Gradeability	35°

Capacities	
Hydraulic System (l)	205
Fuel Tank (l)	162
AdBLUE (l)	10
Engine Lubrication (l)	10
Cooling System	24

Health & Safety	
Noise / Sound Power Level (LwA)	99 dB
Vibration Hand Arm / Body m/sec ²	≤2.5 / ≤0.5

**FULL
3-YEAR
3,000 HOUR
WARRANTY**

Takeuchi machines come with a full 3 year/3000 hour warranty as standard, terms and conditions apply.

Before fitment of a hydraulic attachment, machine auxiliary pressure and flow should be accurately measured. For all lifting specifications please refer to the lift charts on the Takeuchi website or operator manual.

In accordance with our established policy of constant improvement, we reserve the right to amend these specifications at any time without notice. Photographs shown may feature non-standard equipment.

For more information locally contact:



SCAN ME

To find your local dealer

Takeuchi Mfg (UK) Ltd, Unit E2B Kingsway Business Park, John Boyd Dunlop Drive, Rochdale, Lancashire OL16 4NG
info@takeuchi-mfg.co.uk www.takeuchi-mfg.co.uk

@TakeuchiUK

TAKEUCHI
From World First to World Leader